
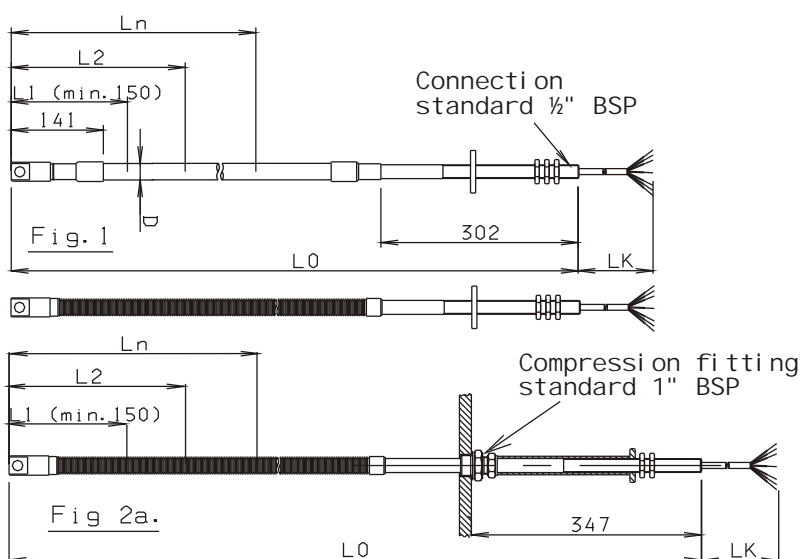


Sensors



Resistance Thermometer - Type NLI - Multi-spot Thermometer

- Type NLI is a multi-spot thermometer for measurement of average temperatures, primarily in stationary tank systems, with requirements to the tolerance and the response time of the temperature measurement. Type NLI is often used in connection with measuring of volume in e.g. oil or bitumen or for estimating the accumulated energy in bulk storing tanks.
- The measuring elements are according to IEC 751. Min. 150 mm from bottom of the sensor to the first spot.
- Flex tube of stainless steel or Nylon 12, standard $\frac{3}{4}$ or 1".
- Accessories: Flanges, weights, terminal boxes and trans-mitters (see separate data sheet)
- Technical information regarding material and connection diagrammes: see separate data sheet.
- Approvals: ATEX 



Ordering:

See separate ordering form.



Senmatic A/S - Industrivej 8 - DK 5471 Sønderø
Tlf.: +45 64 89 22 11 - Fax: +45 64 89 33 11
dk@senmatic.com - www.senmatic.com



Type NLI

Overall length./LO

Min. 950/
max. 70000 mm

Sheath dia.

1" (max. 20 elements)
3/4" (max. 15 elements)

Material

AISI 316
Nylon 12 (only 1")

Connection - Type

1/2" (fig. 1)
3/4" (fig. 1)
M20×1.5 (fig. 1)
1/2"RG Pressure proof w. 1" comp. fitting
M25×1.5
M25×1.5 pressure proof w. 1" comp. fitting

Number of conductors

3 cond. (max. 15 elements)
4 cond. (max. 11 elements)
Common return (max. 20 elements)

Number of spots

V2.0

| | | | | | | | | | | | | | | | | | | | | | | | | |
|---|---|---|--|--|--|--|--|--|--|--|--|--|--|--|--|--|--|--|--|--|--|--|--|--|
| | <div style="border: 1px solid black; display: inline-block; padding: 2px;">Placement of spots</div> | | | | | | | | | | | | | | | | | | | | | | | |
| <p>Cable lead-out - total length LK</p> <p>Rose J-box w. 1/2" 1. spot</p> <p>Rose J-box w. M25×1.5 2. spot</p> <p>Optional length/mm - min. 500 - max. 35000 3. spot</p> <p>..... 4. spot</p> <p>..... 5. spot</p> <p>..... 6. spot</p> <p>..... 7. spot</p> <p>..... 8. spot</p> <p>..... 9. spot</p> <p>..... 10. spot</p> <p>..... 11. spot</p> <p>..... 12. spot</p> <p>..... 13. spot</p> <p>..... 14. spot</p> <p>..... 15. spot</p> <p>..... 16. spot</p> <p>..... 17. spot</p> <p>..... 18. spot</p> <p>..... 19. spot</p> <p>..... 20. spot</p> | <p>Temperature range</p> <p>0 -20 / +90°C (Nylon)</p> <p>1 -50 / +120°C (SS)</p> <p>2 -50 / +200°C (SS)</p> <p>3 -20 / +250°C (SS)</p> <p>Tolerance class</p> <p>1 A ±0.15 °C</p> <p>2 B ±0.3 °C</p> <p>3 1/3B ±0.1 °C</p> <p>4 1/6B ±0.05 °C</p> <p>5 1/10B ±0.03 °C</p> <p>Sensing element</p> <p>1 1×Pt-100</p> <p>2 2×Pt-100</p> <p>3 1×Cu-100 (max. 100°C)</p> <p>4 1×CU-90 . 48 alfa 0.00421</p> | <p>mm</p> <table border="1" style="width: 100%; border-collapse: collapse;"> <tr><td> </td></tr> <tr><td> </td></tr> <tr><td> </td></tr> <tr><td> </td></tr> <tr><td> </td></tr> <tr><td> </td></tr> <tr><td> </td></tr> <tr><td> </td></tr> <tr><td> </td></tr> <tr><td> </td></tr> <tr><td> </td></tr> <tr><td> </td></tr> <tr><td> </td></tr> <tr><td> </td></tr> <tr><td> </td></tr> <tr><td> </td></tr> <tr><td> </td></tr> <tr><td> </td></tr> <tr><td> </td></tr> <tr><td> </td></tr> <tr><td> </td></tr> <tr><td> </td></tr> </table> | | | | | | | | | | | | | | | | | | | | | | |
| | | | | | | | | | | | | | | | | | | | | | | | | |
| | | | | | | | | | | | | | | | | | | | | | | | | |
| | | | | | | | | | | | | | | | | | | | | | | | | |
| | | | | | | | | | | | | | | | | | | | | | | | | |
| | | | | | | | | | | | | | | | | | | | | | | | | |
| | | | | | | | | | | | | | | | | | | | | | | | | |
| | | | | | | | | | | | | | | | | | | | | | | | | |
| | | | | | | | | | | | | | | | | | | | | | | | | |
| | | | | | | | | | | | | | | | | | | | | | | | | |
| | | | | | | | | | | | | | | | | | | | | | | | | |
| | | | | | | | | | | | | | | | | | | | | | | | | |
| | | | | | | | | | | | | | | | | | | | | | | | | |
| | | | | | | | | | | | | | | | | | | | | | | | | |
| | | | | | | | | | | | | | | | | | | | | | | | | |
| | | | | | | | | | | | | | | | | | | | | | | | | |
| | | | | | | | | | | | | | | | | | | | | | | | | |
| | | | | | | | | | | | | | | | | | | | | | | | | |
| | | | | | | | | | | | | | | | | | | | | | | | | |
| | | | | | | | | | | | | | | | | | | | | | | | | |
| | | | | | | | | | | | | | | | | | | | | | | | | |
| | | | | | | | | | | | | | | | | | | | | | | | | |
| | | | | | | | | | | | | | | | | | | | | | | | | |



Senmatic A/S - Industrivej 8 - DK 5471 Sønderlø
Tlf.: +45 64 89 22 11 - Fax: +45 64 89 33 11
dk@senmatic.com - www.senmatic.com

Jälleenmyynti

SARLIN

SARLIN OY AB • PL 750, 00101 Helsinki
Käyntiosoite: Kaivokselantie 3-5, 01610 Vantaa
Vaihde 010 550 4000 • Fax 010 550 4201
info@sarlin.com
www.sarlin.com