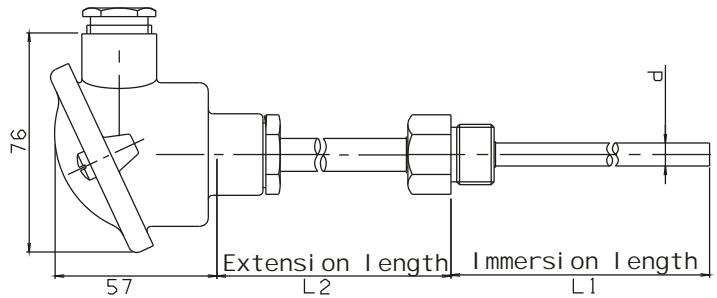


# Sensors



## Resistance Thermometer - Type B - with extension length and removable insert

- Threaded immersion thermometer - Form B - DIN 43765 for measurement of temperatures in gases, vapours, and fluids, e.g. in sealed pipelines - in the LOW-PRESSURE RANGE (Pressure test at 75 bars).
  - Removable insert type MI60. Ø6 mm immersion sheath of stainless steel according to DIN 43762. Sensing element according to IEC 751.
  - Protective sheath Ø9×1/Ø11×1 mm, Form B of stainless steel, AISI 316TI according to DIN 43763.
  - Extension length Ø12 for protective sheath Ø9 and Ø14 for protective sheath Ø11.
  - 1/2"BSP mounting thread. (Rated torque: max. 50 Nm)
  - Form B connection head of light alloy according to DIN 43729, protection IP 65, cable gland M20.
  - Response time (mean values) at velocities in:
    - water at 0.4 m/s: 0.5 = 29 sec.
    - air at 3.0 m/s: 0.5 = 120 sec.
  - Recommended measuring current: max. 2 mA.
- Approvals: Det Norske Veritas, Germanischer Lloyd - for L2/ext. length up to 140 mm and L1/immersion length up to 200 mm, Bureau Veritas.



### Type B

#### Immersion/L1/mm

Min. 50 mm -  
max. 1000 mm  
Optional length ....

#### Sheat dia./thickn./mm

Ø9×1 .....  
Ø11×1 .....

#### Extension length/L2/mm

None .....  
Optional length .....

#### Mounting thread

1/2"BSP .....  
3/4"BSP .....  
1"BSP .....  
1/2"NPT .....  
Without thread .....

#### Number of conductors

2 cond. ....  
3 cond. ....  
4 cond. ....  
Prepared for 3 cond. transmitter .....  
Prepared for 4 cond. transmitter .....  
Without insert .....

V2.2

#### Temperature range

1 ..... -50 / +260°C  
2 ..... -50 / +600°C  
4 ..... -50 / +400°C

#### Tolerance class/DIN

1 ..... Cl. A : ±0,15 °C  
2 ..... Cl. B : ±0,3 °C  
3 ..... 1/3 DIN : ±0,1 °C  
4 ..... 1/6 DIN : ±0,05 °C

#### Resistance in ohms at 0°C

1 ..... 100  
2 ..... 500  
3 ..... 1000

#### Number of elements

1 ..... 1×Pt  
2 ..... 2×Pt

Maahantuonti ja myynti



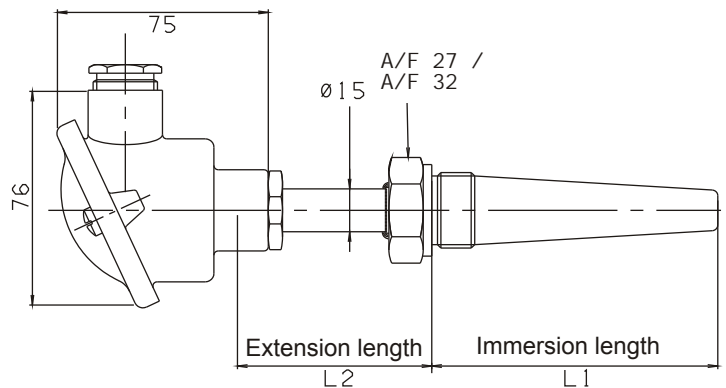
**Sarlin Oy Ab,**  
PL 750, 00101 HELSINKI  
puh. 010 550 4000, fax.010 55 04201  
info@sarlin.com  
www.sarlin.com

# Sensors



## Resistance Thermometer - Type DMH - with extension length and removable insert - classified

- Threaded thermometer - Form B - DIN 43765 for measurement of temperatures in gases, vapours, and fluids, e.g. in sealed pipelines and containers, and also in connection to diesel engines, in exhaust and cooling water systems.
- The measuring insert is removable, type MI80. Inset tube  $\varnothing 8$  mm, stainless steel. The sensing element is according to IEC 751.
- The protective sheath is standard of stainless steel, type 316L.
- Dimension of extension length is  $\varnothing 15 \times 1$  mm, length 68 or 118 mm.
- Form B connection head of light-alloy, according to DIN 43729, protection IP 65, cable gland PG 16.
- Recommended measuring current: max. 2 mA.
- Approvals: Germanischer Lloyd (max. 200 mm), Det Norske Veritas, Bureau Veritas



### Type DMH

|                                    |   | V2.0    |                                   |
|------------------------------------|---|---------|-----------------------------------|
| <b>Immersion length/L1</b>         |   |         | <b>Temperature range</b>          |
| 100 mm .....                       | 1 | 1 ..    | -50 / +260 °C                     |
| 200 mm .....                       | 2 | 2 ..    | -50 / +600 °C                     |
| 250 mm (not classified).           | 3 |         |                                   |
| <b>Tube dimensions</b>             |   |         | <b>Tolerance class/DIN</b>        |
| 24/14 .....                        | 1 | 1 ..... | KI. A : $\pm 0.15$ °C             |
| 18/12 .....                        | 2 | 2 ..... | KI. B : $\pm 0.3$ °C              |
|                                    |   | 3 ..... | 1/3 DIN : $\pm 0.1$ °C            |
|                                    |   | 4 ..... | 1/6 DIN : $\pm 0.05$ °C           |
| <b>Extension length/L2 in mm</b>   |   |         | <b>Resistance in ohms at 0 °C</b> |
| 68 .....                           | 1 | 1 ..... | 100                               |
| 118 .....                          | 2 | 2 ..... | 500                               |
|                                    |   | 3 ..... | 1000                              |
| <b>Mounting thread</b>             |   |         | <b>Number of elements</b>         |
| 1/2" .....                         | 1 | .....   | 1 x Pt                            |
| 3/4" .....                         | 2 | .....   | 2 x Pt                            |
| <b>Number of conductors</b>        |   |         |                                   |
| 2 cond. ....                       | 2 |         |                                   |
| 3 cond. ....                       | 3 |         |                                   |
| 4 cond. ....                       | 4 |         |                                   |
| Prep. for 3-wire transmitter ..... | 5 |         |                                   |
| Prep. for 4-wire transmitter ..... | 6 |         |                                   |



Senmatic A/S - Industrivej 8 - DK 5471 Sønderø  
 Tlf.: +45 64 89 22 11 - Fax: +45 64 89 33 11  
 dk@senmatic.com - www.senmatic.com

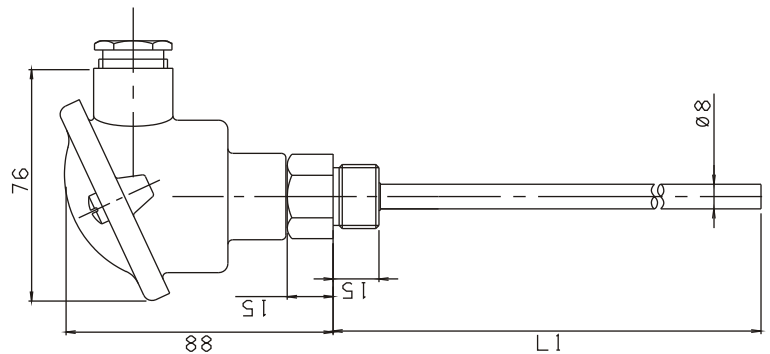


# Sensors

## Resistance Thermometer - Type PTR - Classified



- Threaded immersion thermometer without extension length and with fixed insert for measurement of temperatures in gases, vapours and fluids, e.g. in sealed pipelines and containers - in the LOW-PRESSURE RANGE
- Fixed measuring insert according to IEC 751, standard 1/3 DIN. Protective sheath  $\varnothing 8 \times 1$  mm of stainless steel AISI 316.
- 1/2" BSP mounting thread. (Rated torque: max. 50 Nm)
- Form B connection head of light-alloy metal according to DIN
- 43729, protection IP 65, cable gland M20.
- Response time (mean values) at velocities in:
  - water at 0.4 m/s: 0.5 = 11 sec.
  - air at 3.0 m/s: 0.5 = 40 sec.
- Recommended measuring current: max. 2 mA.
- Approved by: Lloyd's Register of Shipping, Germanischer Lloyd.



### Type PTR

|                                   |   |   |   |   |   |                                   |
|-----------------------------------|---|---|---|---|---|-----------------------------------|
|                                   | 1 | 1 | 1 | 1 | 1 | V3.0                              |
| <b>Immers.length/L1/mm</b>        | 1 | 2 | 3 | 4 | 5 | 1... -40 / +120°C                 |
| 80 mm .....                       |   |   |   |   |   |                                   |
| 100 mm .....                      |   |   |   |   |   |                                   |
| 125 mm .....                      |   |   |   |   |   |                                   |
| 150 mm .....                      |   |   |   |   |   |                                   |
| 200 mm .....                      |   |   |   |   |   |                                   |
| <b>Sheath dia./wallthickn./mm</b> | 1 |   |   |   |   | 1... 100                          |
| 8x1 .....                         |   |   |   |   |   |                                   |
| <b>Mounting thread</b>            | 1 |   |   |   |   | 1... 1xPt                         |
| 1/2" BSP .....                    |   |   |   |   |   |                                   |
| <b>Number of conductors</b>       |   |   |   |   | 4 |                                   |
| 4 cond. ....                      |   |   |   |   |   |                                   |
| Prepared for 4 cond. transmitter  |   |   |   |   | 6 |                                   |
| <b>Tolerance class/DIN</b>        |   |   |   | 3 | 4 | 1/3 DIN : ±0.1<br>1/6 DIN : ±0.05 |
| 1/3 DIN .....                     |   |   |   |   |   |                                   |
| 1/6 DIN .....                     |   |   |   |   |   |                                   |
| <b>Resistance / ohms at 0°C</b>   |   |   |   |   |   |                                   |
| 100 .....                         |   |   |   |   |   |                                   |
| <b>Number of elements</b>         |   |   |   |   |   |                                   |
| 1xPt .....                        |   |   |   |   |   |                                   |



Senmatic A/S - Industrivej 8 - DK 5471 Sønderø  
 Tlf.: +45 64 89 22 11 - Fax: +45 64 89 33 11  
 dk@senmatic.com - www.senmatic.com

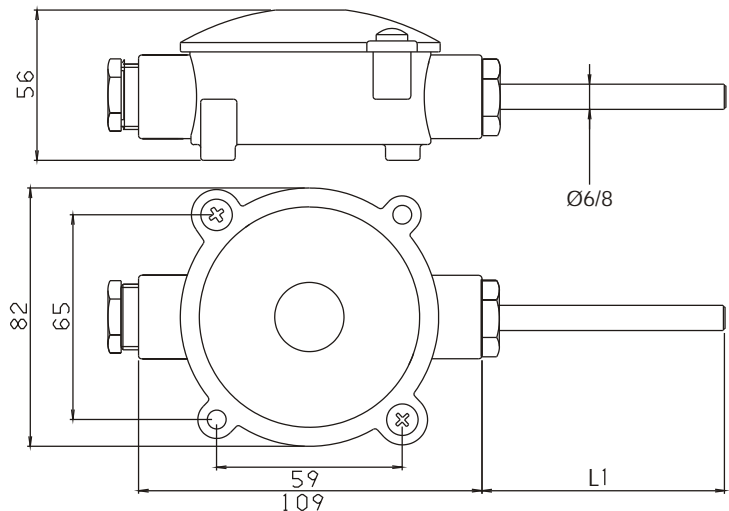


# Sensors

## Resistance Thermometer - Type PTV - Classified



- Type PTV for mounting on walls - for measurement of temperatures in rooms, e.g. in refrigerated holds, cargo and freeze compartments.
- Measuring inset according to IEC 751 and EN 13485 Cl. 1, standard 1/3 DIN.
- Protective sheath of 6/8 mm stainless steel.
- The connection box is a marine box of grey-enamelled light-alloy metal, protection IP 67.
- Response time (mean values) measured at velocities in:
  - water at 0.4 m/s: 0.5 = 11 sec.
  - air at 3.0 m/s: 0.5 = 35 sec.
- Recommended measuring current: max. 2 mA.
- Approvals: Lloyd's Register of Shipping, Germanischer Lloyd



### Type PTV



V2.2

#### Immersion length/L1

|                  |   |
|------------------|---|
| 50 mm (Ø6) ..... | 1 |
| 65 mm (Ø8) ..... | 2 |

#### Sheath dia./wallth./mm

|                        |   |
|------------------------|---|
| 6×0.5 (L1=50 mm) ..... | 1 |
| 8×1.0 (L1=65 mm) ..... | 2 |

#### Number of conductors

|                                  |   |
|----------------------------------|---|
| 3 cond. ....                     | 3 |
| 4 cond. ....                     | 4 |
| Prepared f. 3 cond. transm. .... | 5 |
| Prepared f. 4 cond. transm. .... | 6 |

#### Number of elements

|            |   |
|------------|---|
| 1×Pt ..... | 1 |
| 2×Pt ..... | 2 |

#### Temperature range

|   |                  |
|---|------------------|
| 1 | .... -40 / +80°C |
|---|------------------|

#### Tolerance class/DIN

|   |                     |
|---|---------------------|
| 1 | ..... Cl. A : ±0,15 |
| 2 | ..... Cl. B : ±0,3  |
| 3 | ..... 1/3 DIN: ±0,1 |

#### Resistance in ohms

|   |            |
|---|------------|
| 1 | ..... 100  |
| 2 | ..... 500  |
| 3 | ..... 1000 |

On stock: PTV-1141131



Senmatic A/S - Industrivej 8 - DK 5471 Sønderø  
Tlf.: +45 64 89 22 11 - Fax: +45 64 89 33 11  
dk@senmatic.com - www.senmatic.com

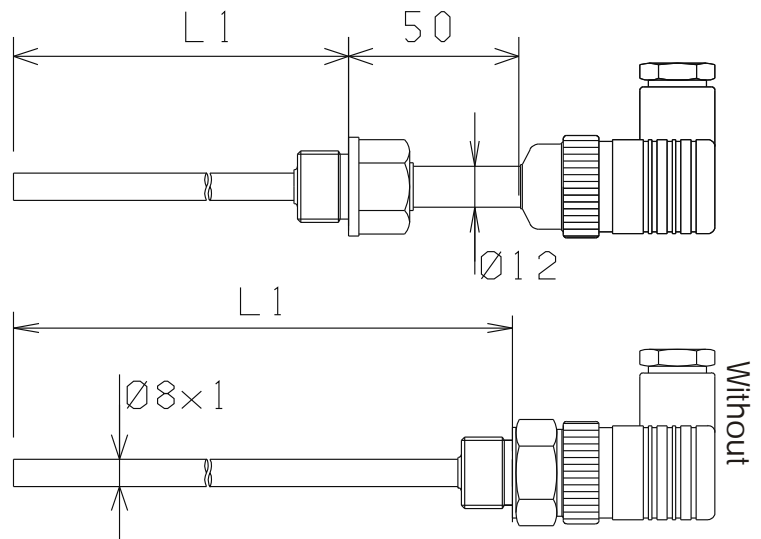


# Sensors

## Resistance Thermometer - Type S - classified



- Straight thermometer with or without extension length for measurement of temperatures in gases, vapours, and fluids, e.g. in sealed pipelines - in the LOW-PRESSURE RANGE.
- Standard with 3 conductors and 1×Pt-100.
- Temperature range: -50 / +150°C.
- Protective sheath, Form B of stainless steel AISI 316Ti.
- Extension length Ø12, length 50 mm, stainless steel.
- Connection: Angular connector.
- Response time (mean values) at velocities in:
  - water at 0.4 m/s: 0.5 = 11 sec.
  - air at 3.0 m/s: 0.5 = 35 sec.
- Recommended measuring current: max. 2 mA.
- Approvals: Det Norske Veritas, Germanischer Lloyd, Bureau Veritas

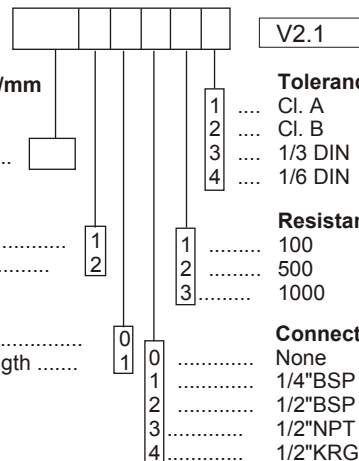


### Type S

**Immers.length/L1/mm**  
 Min. 50 mm -  
 max. 200 mm  
 Optional length .....

**Thermometer**  
 Complete .....  
 Insert only .....

**Extension length**  
 Without .....  
 With extension length .....



**Toleranceclass/DIN**  
 1 .... Cl. A : ±0.15  
 2 .... Cl. B : ±0.3  
 3 .... 1/3 DIN : ±0.1  
 4 .... 1/6 DIN : ±0.05

**Resistance in Ohms at 0°C**  
 1 ..... 100  
 2 ..... 500  
 3 ..... 1000

**Connection**  
 0 ..... None  
 1 ..... 1/4"BSP  
 2 ..... 1/2"BSP  
 3 ..... 1/2"NPT  
 4 ..... 1/2"KRG



Senmatic A/S - Industrivej 8 - DK 5471 Sønderø  
 Tlf.: +45 64 89 22 11 - Fax: +45 64 89 33 11  
 dk@senmatic.com - www.senmatic.com

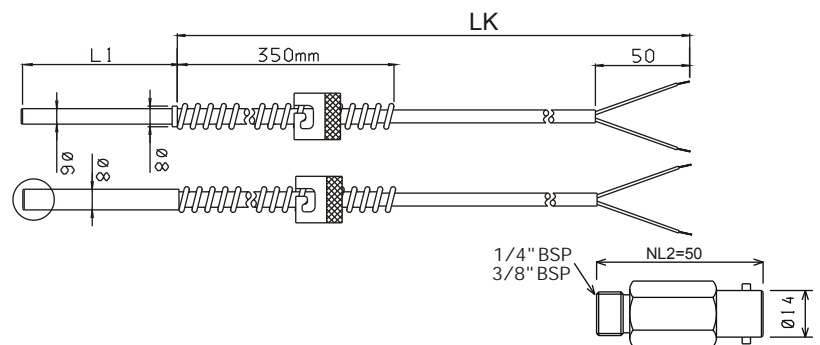


# Sensors



## Resistance Thermometer - Type BJ - straight cable sensor with bayonet - classified

- Is used for measurement of temperatures in machinery, tools, heating plates, bearings etc. Where a fast replacement is desired.
- The measuring element is according to IEC 751.
- The protective sheath is standard of  $\text{Ø}6 \times 0.5$  mm stainless steel.
- Mechanical connection by means of a nipple, which e.g. is screwed into the machine. The sensor is mounted by means of the bayonet socket. The spring load is adjusted by screwing the bayonet socket up/down the spring before mounting.
- Response time (mean values) measured at velocities in:
  - water at 0.4 m/s: 0.5 = 10 sec.
  - air at 3.0 m/s: 0.5 = 31 sec.
- Recommended measuring current: max. 2 mA.
- Approvals: Germanischer Lloyd (max. 80 mm), Det Norske Veritas, Bureau Veritas.



### Type BJ

**Immers.length/L1/mm**  
 Min. 60 mm -  
 max. 125 mm  
 Optional length

**Sheath dia./wallth./mm**  
 6x0,5 ..... 1  
 8x1 ..... 2

**Tip form**  
 Flat ..... 1

**Mounting thread**  
 NONE ..... 0  
 1/4" ..... 4  
 3/8" ..... 5

**Nipple length/NL2**  
 None ..... 0  
 50 mm ..... 4

V2.0

**Cable matr./temp.range**  
 1 ... PVC -5/+85°C  
 2 ... Silicone -50/+180°C  
 3 ... Teflon/screen -50/+260°C  
 4 ... Arm. fibreglass -50/+350°C  
 5 ... Arm. teflon -50/+200°C

**Tolerance class/DIN**  
 1 ..... Cl. A : ±0,15  
 2 ..... Cl. B : ±0,3  
 3 ..... 1/3 DIN : ±0,1  
 4 ..... 1/6 DIN : ±0,05

**Resistance in ohms**  
 1 ..... 100  
 2 ..... 500  
 3 ..... 1000

**Number of elements**  
 1 ..... 1xPt  
 2 ..... 2xPt (only 2-cond.)

**Number of conductors**  
 2 ..... 2 cond.  
 3 ..... 3 cond.  
 4 ..... 4 cond.

**Length/cable/LK/mm**  
 Min. 1000 mm  
 max. 5000 mm  
 Optional length

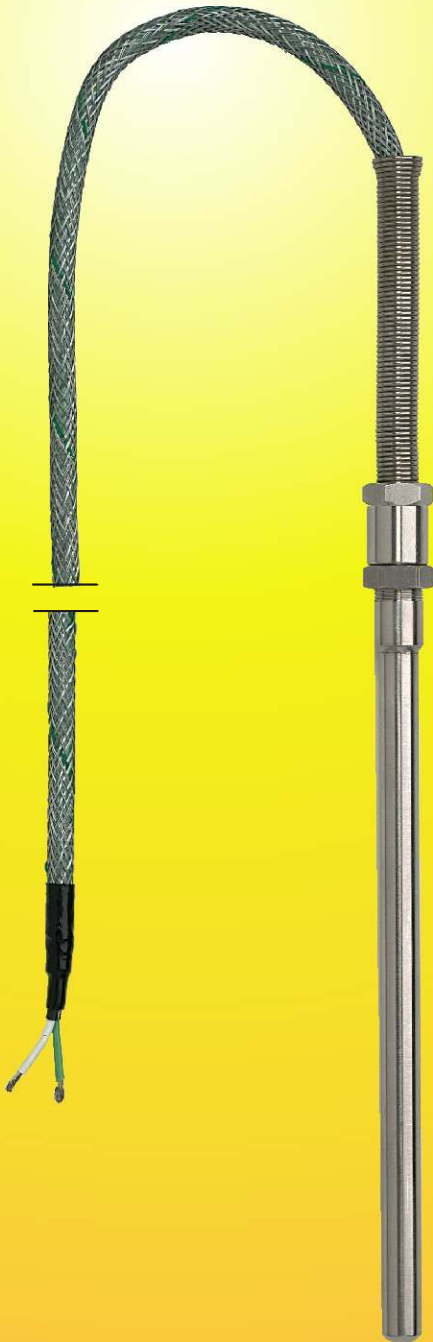


Senmatic A/S - Industrivej 8 - DK 5471 Sønderø  
 Tlf.: +45 64 89 22 11 - Fax: +45 64 89 33 11  
 dk@senmatic.com - www.senmatic.com

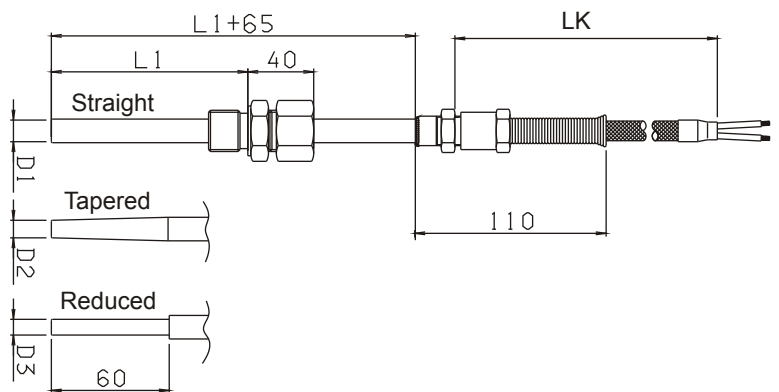


# Sensors

## Thermocouple - Type DML - for diesel systems - classified



- Straight thermocouples with compression fitting are widely used on ships in connection with diesel engines in the exhaust systems.
- The measuring inset is with insulated measuring junction.
- The protective sheath is of stainless steel, AISI 316Ti. Pressure test at 25 bars.
- Connection: compression fitting of stainless steel.  
Wire: Silicone, teflon or glassflex - all types are armoured with relief spring in cable junction.
- Approvals: Germnischer Lloyd (max. 175 mm), Det Norske Veritas, Bureau Veritas



### Type DML

#### Imm. length/L1/mm

Min. 50 mm -  
max. 250 mm  
Optional length ....

#### Sheath dim./d/mm

8×1 (not classified) .....  
10×2 .....  
12×3 .....  
14×3 (not classified) .....

#### Sheath shape

Straight .....  
Tapered .....  
Reduced .....

#### Mechanical connection

Without .....  
1/2" BSP thread .....  
3/4" BSP thread .....  
M18×1.5 thread .....  
1/2" NPT thread .....

V2.0

#### Tolerance class

..... 1  
..... 2

#### Thermoelement - max. temp. for thermowire

1 ..... K - NiCr-Ni -40/+800°C  
2 ..... J - Fe-CuNi -40/+700°C  
6 ..... N - NiCrSi-NiSi -40/+800°C

#### Number of thermocouples

..... 1×TC  
..... 2×TC

#### Wire type

..... Silicone armoured  
..... Teflon armoured  
..... Glasflex armoured  
..... Mineral insulated

#### Length of wire/LK/mm

Min. 2000 mm -  
max. 10.000 mm  
Optional length



Senmatic A/S - Industrivej 8 - DK 5471 Sønderø  
Tlf.: +45 64 89 22 11 - Fax: +45 64 89 33 11  
dk@senmatic.com - www.senmatic.com

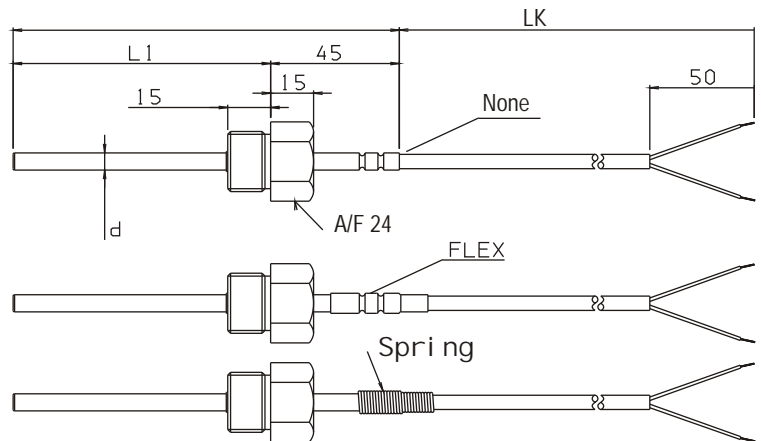


# Sensors

## Resistance Thermometer - Type GW - wire sensor with fixed thread - classified



- Threaded thermometer for measurement of temperatures in gases, pipelines and containers. For mounting directly or in thermowells.
- The sensing element is according to IEC 751.
- The protective sheath is standard  $\text{Ø}6 \times 0.5$  mm stainless steel.
- The connecting wire is standard available in PVC and silicone.
- Response time (mean values) measured at velocities in:
  - water at 0.4 m/s: 0.5 = 7 sec.
  - air at 3.0 m/s: 0.5 = 24 sec.
- Recommended measuring current: max. 2 mA.
- Approvals: Germanischer Lloyd (max. 90 mm), Det Norske Veritas, Bureau Veritas.



### Type GW

**Immers. length/L1/mm**  
 Min. 50 mm -  
 max. 200 mm  
 Optional length .....

**Sheath dia./wallth./mm**  
 6x0.5 .....  
 8x1 .....

#### Connection

3/8" .....  
 1/2" .....  
 3/4" .....  
 1" .....

#### Length/wire/LK/mm

Min. 1000 mm -  
 max. 5000 mm  
 Optional length .....

#### Junction

NONE .....  
 Flex .....  
 Spring .....



#### Wire matr./temp.range

- 1 .... PVC -5/+85°C
- 2 .... Silicone -50/+180°C
- 3 .... Teflon/screen -50/+260°C
- 4 .... Arm. fibreglass -50/+350°C
- 5 .... Arm. teflon -50/+260°C

#### Tolerance class/DIN

- 1 ..... Cl. A :  $\pm 0.15$  °C
- 2 ..... Cl. B :  $\pm 0.3$  °C
- 3 ..... 1/3 DIN :  $\pm 0.1$  °C
- 4 ..... 1/6 DIN :  $\pm 0.05$  °C

#### Resistance in ohms at 0°C

- 1 ..... 100
- 2 ..... 500
- 3 ..... 1000

#### Number of elements

- 1 ..... 1xPt
- 2 ..... 2xPt (only 2-cond.)

#### Number of conductors

- 2 ..... 2 cond.
- 3 ..... 3 cond.
- 4 ..... 4 cond.



Senmatic A/S - Industrivej 8 - DK 5471 Sønderø  
 Tlf.: +45 64 89 22 11 - Fax: +45 64 89 33 11  
 dk@senmatic.com - www.senmatic.com

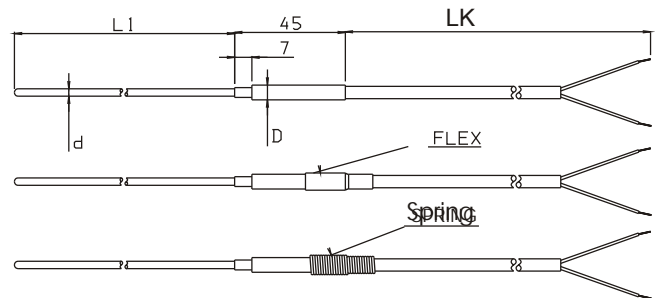




## Thermocouple - Type MK - mineral insulated with wire - classified



- Mineral insulated thermocouples - DIN 43721 - are used for reasons such as flexibility, fast response time and good resistance to vibrations, for measurement of temperatures in inaccessible places and harsh environment.
- Thermocouples only available with 1×TC for diameters below Ø3 mm.
- The measuring junction is standard insulated. The thermocouples are available with grounded alternatively exposed measuring junction. Exposed measuring junction max. 150°C.
- The thermocouple is insulated with MgO. The tube is sealed at the tails. This sealing must not be exposed to temperatures over 200°C.
- Jacket material for protective sheath is chosen depending on temperature and environment, see separate data sheet.
- The recommended working temperature is dependent on thermowire and jacket material.
- Mechanical connection: Compression fitting, see data sheet for accessories.
- Approvals: Germanischer Lloyd (max. 35000 mm), Det Norske Veritas, Bureau Veritas



### Type MK

**Imm. length/L1/mm**  
Min. 55 mm -  
max. 10.000 mm  
Optional length ....

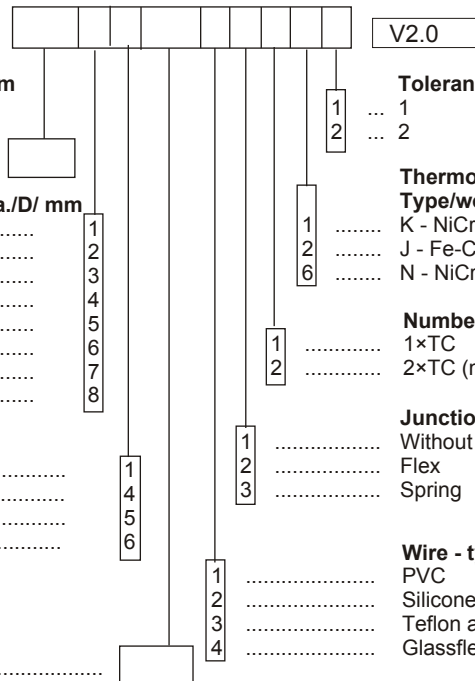
**Sheath/d-Neck dia./D/ mm**

|          |   |
|----------|---|
| 1.0 × 8  | 1 |
| 1.5 × 8  | 2 |
| 2.0 × 8  | 3 |
| 3.0 × 10 | 4 |
| 4.5 × 10 | 5 |
| 6.0 × 10 | 6 |
| 8.0 × 12 | 7 |
| 9.5 × 12 | 8 |

**Jacket material**

|           |   |
|-----------|---|
| AISI 316  | 1 |
| Inconel   | 4 |
| Hastelloy | 5 |
| Nicrobell | 6 |

**Wire/LK in mm**  
Min. 200 mm -  
max. 20.000 mm  
Optional length .....



**Tolerance class**

|   |     |   |
|---|-----|---|
| 1 | ... | 1 |
| 2 | ... | 2 |

**Thermoelement - Type/working temperature**

|   |       |                 |             |
|---|-------|-----------------|-------------|
| 1 | ..... | K - NiCr-Ni     | -40/+1000°C |
| 2 | ..... | J - Fe-CuNi     | -40/+700°C  |
| 6 | ..... | N - NiCrSi-NiSi | -40/+1250°C |

**Number of thermocouples**

|   |       |                   |
|---|-------|-------------------|
| 1 | ..... | 1×TC              |
| 2 | ..... | 2×TC (min. Ø3 mm) |

**Junction**

|   |       |         |
|---|-------|---------|
| 1 | ..... | Without |
| 2 | ..... | Flex    |
| 3 | ..... | Spring  |

**Wire - type**

|   |       |                |              |
|---|-------|----------------|--------------|
| 1 | ..... | PVC            | -5 / +85°C   |
| 2 | ..... | Silicone       | -40 / +180°C |
| 3 | ..... | Teflon arm.    | -50 / +260°C |
| 4 | ..... | Glassflex arm. |              |



Senmatic A/S - Industrivej 8 - DK 5471 Sønderø  
Tlf.: +45 64 89 22 11 - Fax: +45 64 89 33 11  
dk@senmatic.com - www.senmatic.com

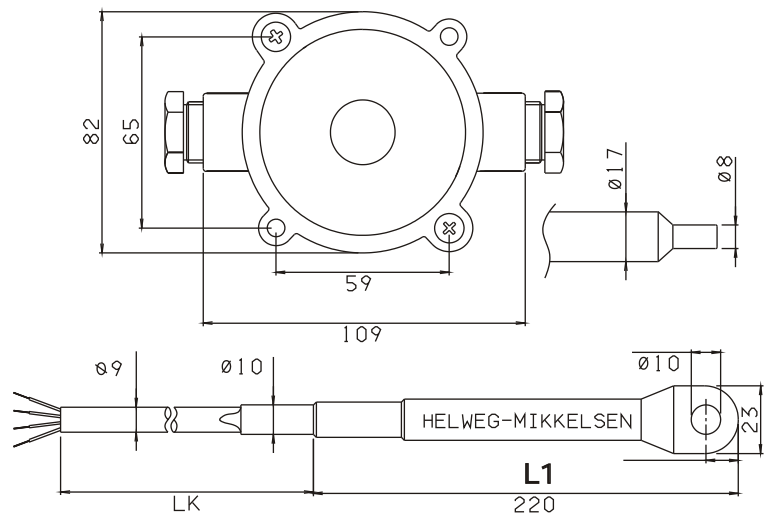


# Sensors



## Resistance Thermometer - Type PTL - Classified

- Thermometer for cargo compartments - for measurement of temperatures in cold and wet areas, such as cargo compartments, refrigerated cargo vessels, cold rooms, directly in basins and tanks.
- The measuring insert is according to IEC 751, standard Cl. B 1/6 DIN.
- The protective sheath is of metal coated with neoprene, vulcanized together with the flexible connecting cable.
- The connecting cable is standard a 4 conductor thermo-plastic cable, Ø9 mm.
- The standard is without a connection box. Is available with a grey-enamelled marine box of light-alloy, protection IP 67.
- Response time: (mean values) measured at velocities in:  
water at 0.4 m/s: 0.5 = ca. 60 sec.
- Recommended measuring current: max. 2 mA.
- Approvals: Lloyd's Register of Shipping, Germanischer Lloyd



### Type PTL

|                                |              |   |  |  |  |  |  |  |  |      |                                  |
|--------------------------------|--------------|---|--|--|--|--|--|--|--|------|----------------------------------|
|                                |              |   |  |  |  |  |  |  |  | V2.0 |                                  |
| <b>Length/L1</b>               | 220 mm ..... | 1 |  |  |  |  |  |  |  | 1    | <b>Temperature range</b>         |
|                                |              |   |  |  |  |  |  |  |  |      | -40 / +60°C                      |
| <b>Sheath dia./wallth./ mm</b> | 17 .....     | 1 |  |  |  |  |  |  |  | 1    | <b>Resistance in ohms at 0°C</b> |
|                                |              |   |  |  |  |  |  |  |  |      | 100                              |
| <b>Connection</b>              | None .....   | 1 |  |  |  |  |  |  |  | 1    | <b>Number of elements</b>        |
|                                | Box .....    | 2 |  |  |  |  |  |  |  |      | 1×Pt                             |
| <b>Length/cable/LK in mm</b>   | 2500 .....   | 1 |  |  |  |  |  |  |  | 4    | <b>Number of conductors</b>      |
|                                | 4000 .....   | 2 |  |  |  |  |  |  |  |      | 4 cond.                          |
|                                | 10000 .....  | 3 |  |  |  |  |  |  |  |      |                                  |
|                                | 12000 .....  | 4 |  |  |  |  |  |  |  |      |                                  |
|                                | 15000 .....  | 5 |  |  |  |  |  |  |  |      |                                  |



Senmatic A/S - Industrivej 8 - DK 5471 Sønderø  
Tlf.: +45 64 89 22 11 - Fax: +45 64 89 33 11  
dk@senmatic.com - www.senmatic.com

