

Flameproof Temperature Sensors with Replaceable Measuring Inserts **TOPGN-Exd, TTKGN-Exd, TTJGN-Exd**

Specification

Temperature range / sensing element

-200÷550°C **Pt100** class B
-40÷550°C **J, K,** class 2

Measuring insert – p. 144

- 2-, 3-, 4-wire connection (for Pt100)
- 2-, 3-wire connection (for 2xPt100)
- measuring insert length L+164 mm

Thermowell

- material: stainless steel 1.4541
- diameter d [mm]: 9, 11, 12, 14
- length L [mm]: 50÷2000

Connection head – p. 159

- aluminium:
XD-AD (AS1 – one cable gland, AS2 – two cable glands),
- aluminium, cover with window:
XD-ADwin (AS3 – one cable gland, AS4 – two cable glands)
- stainless steel:
XD-SD (NS1 – one cable gland, NS2 – two cable glands)
- cable gland: ATEX II 2 GD; ATEX I M2; IP 66÷68
cable diameter: 3÷14,3 mm (standard 6,1÷11,7)

Constructional version

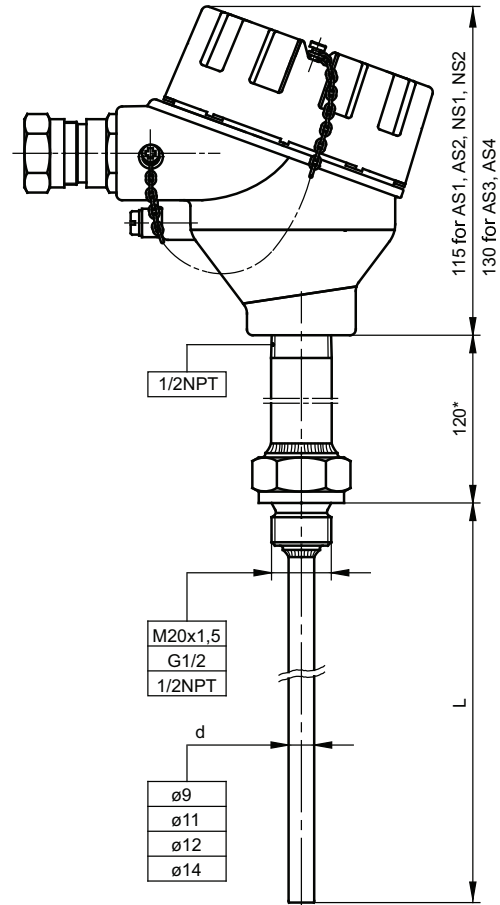
- Exd acc. to ATEX
- EC-Type Examination Certificate: **WE KDB 08ATEX135**
⊗ I M2 Ex d I; (only with connection head NS1, NS2)
⊗ II 2GD Ex d IIC T6; Ex tD A21 IP68 T85°C

Options

- Pt500, Pt1000, T, N
- other threads (inch and metric) acc. to requirements
- Pt100: class A -50÷400°C, class AA -50÷250°C; TC: class 1

Additional accessories

- temperature transmitters – pp. 162÷174
- local display LPI-02 (connection head AS3 or AS4) – p. 161



Ordering code

Temperature sensor



- Single without transmitter: **no designation**
- Double without transmitter: **2**
- Single with transmitter: **AP**
- Sensing element Pt: **OP**
- Fe-CuNi: **TJ**; NiCr-NiAl: **TK**
- Cu-CuNi: **TT**; NiCrSi-NiSi: **TN**
- Connection head type - aluminium: **AS1, AS2, AS3, AS4** or stainless steel: **NS1, NS2**
- Immersion length L [mm] / thermowell diameter d [mm]: **300/9** or other*
- Thread dimension: **M20x1,5; G½; ½NPT** or other*
- RTD type and class: **aA****, **aB**** or thermocouple class: **1, 2**
- RTD connection: **2, 3, 4-wire**; or hot junction type for TC: **SO, SOA, SOB, SP**
- Transmitter type – temperature range: **TxBlock-(0÷100)°C***
- Cable diameter for cable gland: **a** (3,2 mm÷8,7 mm), **b** – standard (6,1 mm÷11,7 mm), **c** (6,5 mm÷14 mm)

*Other parameters acc. to requirements
** a=1 for Pt100, a=5 for Pt500, a=10 for Pt1000

Ordering example:

TOPGN-Exd-AS3-500/12-G½-1B-2-a
APTTJGN-Exd-AS1-620/9-M20x1.5-SO-Tx-(0÷150)°C-b