



# LASE 1000T Black-Line

## 1D Laser Distance Meter



### General features:

- Contactless distance measuring
- Measuring area up to 700 mm
- Ranges up to 1100mm
- Highest accuracy in the  $\mu\text{m}$ -area
- High measuring rate (up to 10 kHz)
- Ethernet interface optional
- Synchronized thickness measuring with 2 sensors
- Digital, analog and ethernet interfaces
- Suitable for operating off almost all surfaces
- Rugged construction - IP65
- Simple installation in each position
- Median filter
- Optical filtering of ambient light
- Closed-loop control of light intensity

### Short description:

The distance sensors in the **LASE 1000T series** are optical measuring instruments which work according to the triangulation principle. This technique ensures highest accuracies within  $\mu\text{m}$  the range.

These sensors are typically used for the contactless distance and thickness/width measurement. The sensor produces thereby a visible laser point on an object and the relative position of this laser point is evaluated by a high resolution CCD line camera. From the position of this point along the CCD line, the distance is computed to the object.

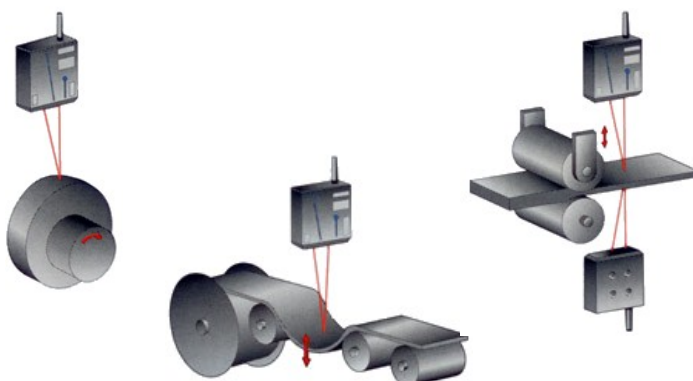
Within the **LASE Black-Line Series**, the procedure permits an accuracy of up to 0,0008 mm depending on the individual measuring range. By the **Black-Line**, the range on natural surfaces amounts to max. 1100 mm. The sensors incorporate an automatic regulation of the light intensity and thereby provide unsurpassed measuring characteristics.

The LASE 1000T Sensors are a compact unit because the optical elements are integrated with the electronic components in a durable steel housing. The sensors contain no mobile parts and are appropriate for the work in heavy industrial environments!

The LASE 1000T Green-Line Series even offers larger measuring ranges with similar accuracies!

The complete LASE 1000T Series is used, where the precision demands are better than 1 mm, e.g. by thickness measurements or quality controls:

- Measurement of length, width, height, level and situation of objects and environments
- Positioning of machine parts
- Control of qualities by paper, steel or aluminum coils
- Measurement of slab width and thickness
- Measuring of liquid level and solid materials
- Position of hot objects in furnaces
- Measurement and regulation of slack



## Technical Data LASE 1000T Black-Line Series

Model	LASE 1000T-20.5	LASE 1000T-115	LASE 1000T-150	LASE 1000T-200	LASE 1000T-250	LASE 1000T-450	LASE 1000T-750
Measuring range	16–25 mm	100–130 mm	100–200 mm	100–300 mm	100–400 mm	200–700 mm	400–1100 mm
Center distance	20,5 mm	115 mm	150 mm	200 mm	250 mm	450 mm	750 mm
Resolution *)	0,0008mm**	0,002mm	0,01mm**	0,05mm	0,08mm	0,1mm	0,5mm
Linearity *)	± 0,0045mm	± 0,03mm	± 0,05mm	± 0,1mm	± 0,2mm	± 0,3mm	± 0,7mm
Reproducibility *)	± 0,0008mm**	± 0,002mm	± 0,01mm**	± 0,05mm	± 0,08mm	± 0,1mm	± 0,5mm
Size of light spot	∅ 0,1 mm	∅ 1 mm	∅ 1 mm	∅ 2 mm	∅ 2 mm	∅ 2 mm	∅ 4 mm
Updating frequency	2000/1000 Hz						
Temperature deviation	± 0,03 % of FS/°C						
Light source	Visible Laser (670 nm)						
Laser protection class	IEC 2						
Interfaces: digital analog	Standard RS 232– optional RS422 – optional Ethernet 4–20mA or 1–9 VDC / 14 Bit						
Supply voltage	24 VDC ± 10 %						
Power consumption	Max. 4,5 W						
Operating temperature	0 to +45 °C						
Degree of protection	IEC IP 65						
Dimensions in mm	136x138x50	136 x 146 x 50					
Weight	1600 g						

\*) Resolution, Reproducibility and Linearity valid for static measurement on white paper. Slight tolerances are possible on other surfaces. FS: Full Scale

\*\*) Details valid for digital output

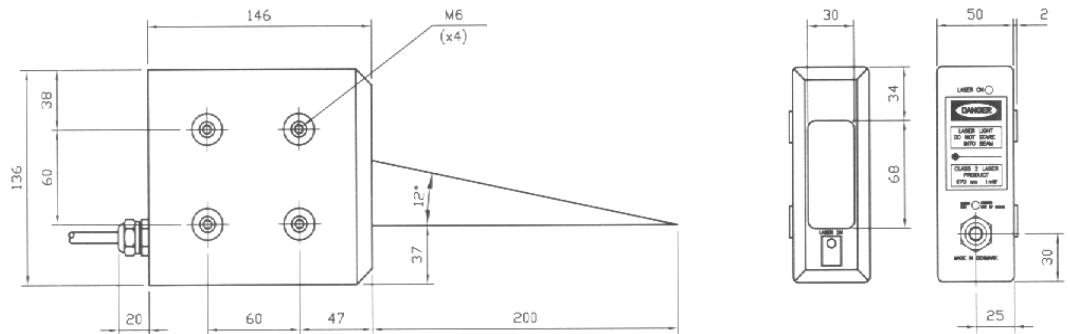
### Scope of delivery LASE 1000T:

- Sensor, Operation manual, Configuration– and Visualisation software

### Special models:

- All models are available as **HT-Versions** and **VHT-Versions** as well (for measurements on hot surfaces up to 1000 and 1500°C) – The standard version is only useable for surface temperatures of approx. 450 °C
- All models are available with 5-Select-Option (5 kHz), 10-Select-Option (10 kHz), **RS-422** interface (series by 5 and 10 kHz)
- All models are available with an optional **Ethernet** interface. The Ethernet interface can be used for distance measurement only, but not for an internal thickness measurement.
- All models are available with laserclass **3R** and **3B**
- (series by 10 kHz and all VHT-devices)
- Cool- and protection housing (**ODS Kü01**)

### Accessories (optional):

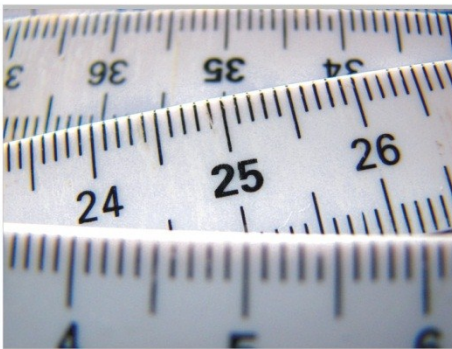


**LASE**  
Industrielle Lasertechnik GmbH

SARLIN OY AB • PL 750, 00101 Helsinki  
Käyntiosoite: Kaivokselantie 3-5, 01610 Vantaa  
Vaihde 010 550 4000 • Fax 010 550 4201  
info@sarlin.com • www.sarlin.com

**SARLIN**

**CONTACT**



**LASE GmbH Industrielle Lasertechnik**  
Am Schornacker 59  
D-46485 Wesel  
Tel.: 0281 / 95990-0  
Fax: 0281 / 95990-111  
E-Mail: info@lase.de  
Internet: www.lase.de