

Driving Performance & Low Flow SM2100

SM2100 applied by new technology of Hanwha Techwin,
is a best-fit product for customers who need low flow compressors with high efficiency.



Customized options based on your needs

- Available to provide customized solutions from standard type for extendability to packaged plug & play type for easy installation according to your selection of options
 - Base frame, cooling water manifold and enclosure can be added as an option.



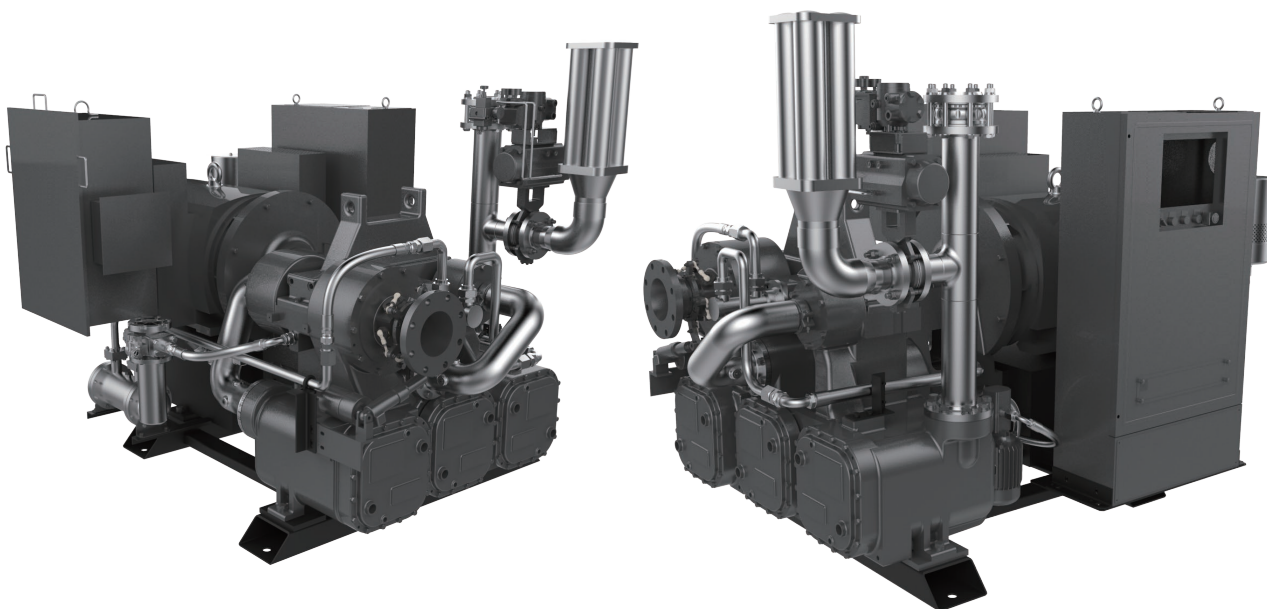
Easy maintenance and superior standard features

- Tilting pad journal bearings applied on pinion gears offer reliable operation and long life cycle.
(Depending on the conditions of usage, the only bearings may need to be replaced.)
- Compact design for minimal foot print
- Standard features include three stage vibration probes, an oil heater, and a vacuum gauge in an oil tank.



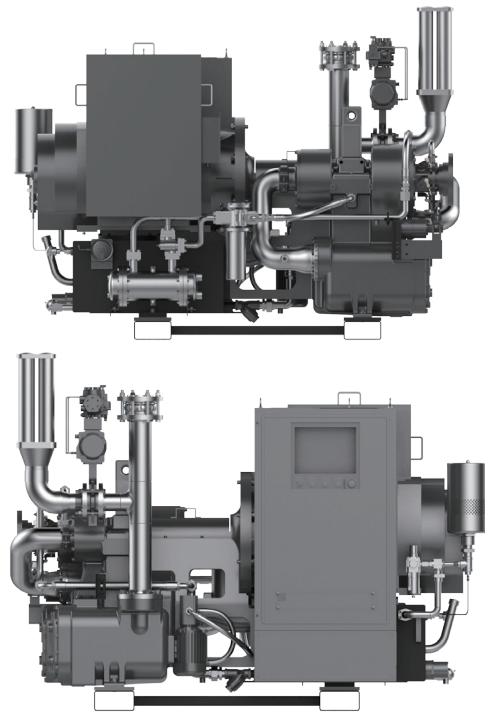
Advanced efficiency and performance for low flow compressor

- Sealing system with 4 stages which satisfies API specification to minimize gas leaks
- Highly efficient inlet guide vanes to improve the performance of compressor at part load and to reduce power consumption
- State-of-the-art 5-axis machined impeller for stability and high efficiency

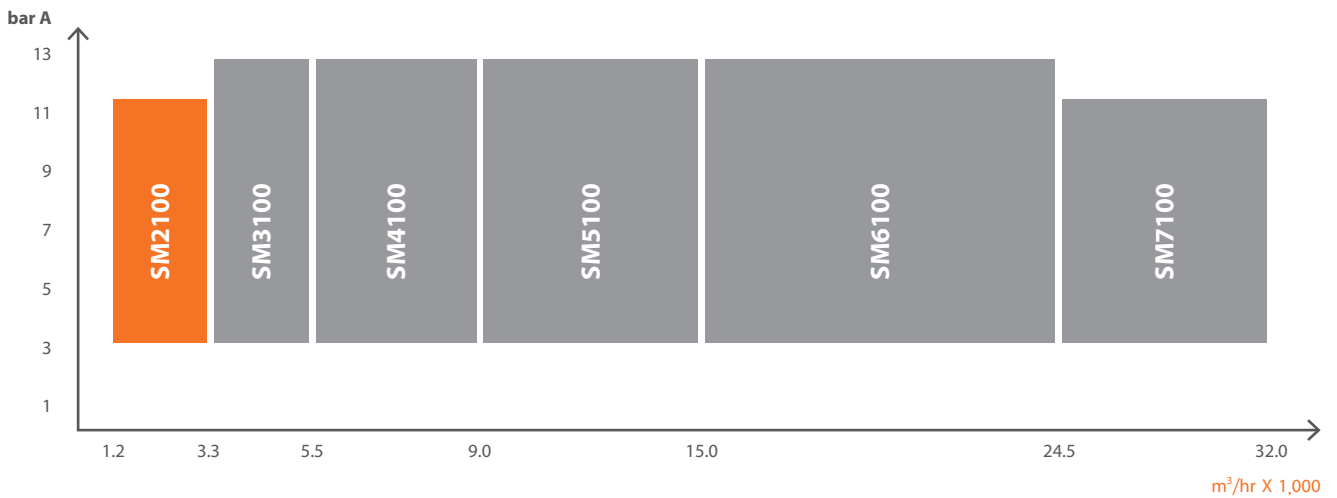


Specification

Model		SM2100
Flow Rate	m ³ /hr	1,200 - 3,300
	CFM	700 - 1,950
Power	kW	150 - 335
	HP	200 - 450
Discharge Pressure	bar A	3.5 - 11.4
	psi A	50 - 165
Dimension (LxWxH)	mm	2,360 x 1,660 x 1,770
	inch	93 x 65.4 x 70
Weight	kg	3,700
	lb	8,160



Product Range



Scope of Supply

- | | | |
|---|--|--|
| <input checked="" type="checkbox"/> Inlet guide vanes | <input checked="" type="checkbox"/> PLC control system | <input type="checkbox"/> Auto trap |
| <input checked="" type="checkbox"/> Blow off valve and silencer | <input type="checkbox"/> Air intake filter | <input type="checkbox"/> MODBUS / PROFIBUS Interface |
| <input checked="" type="checkbox"/> Discharge check valve | <input type="checkbox"/> Base frame | |
| <input checked="" type="checkbox"/> Complete lubrication system | <input type="checkbox"/> Cooling water manifold | |
| <input checked="" type="checkbox"/> Aftercooler | <input type="checkbox"/> Sound enclosure (available with base frame) | |
| <input checked="" type="checkbox"/> Drain ports with ball valves on all coolers | <input type="checkbox"/> Dual oil filter | |
| <input checked="" type="checkbox"/> Main motor | <input type="checkbox"/> Block valve | |
| <input checked="" type="checkbox"/> Motor winding / bearing protection | <input type="checkbox"/> Companion flange | |

✓ Standard ● Options