



Donaldson
FILTRATION SOLUTIONS

UFM-D **ZERO LOSS** **CONDENSATE DRAINS**

Process Filtration

Zero-loss, electronically controlled condensate drains that offer simple maintenance, silent operation, and fast return on investment.

Donaldson® UFM-D drains offer an economical and low maintenance option to handling the liquid condensate, which naturally accumulates in various spots within a compressed air system. Condensate must be drained frequently, and typical drains are prone to loss of valuable compressed air. The UFM-D drains offer the ability to silently and cost effectively drain condensate from your compressed air system.

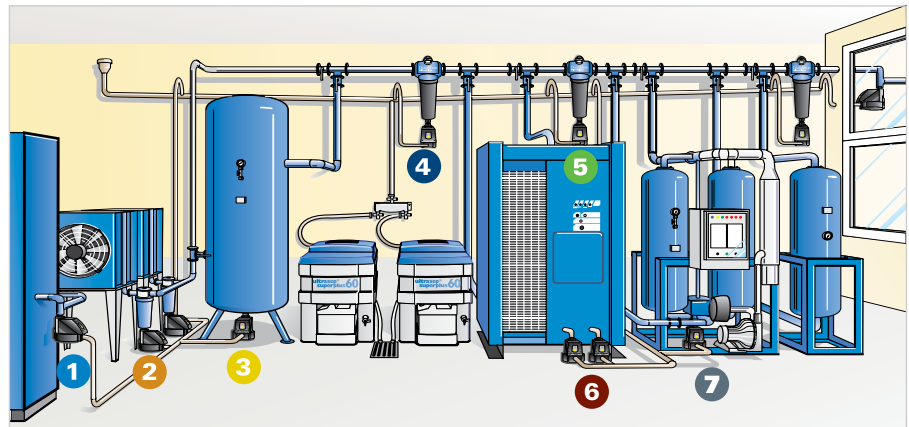


UFM-D

APPLICATIONS

Ultramat zero-loss electronically controlled condensate drains are at many points to ensure condensate drainage without compressed air loss.

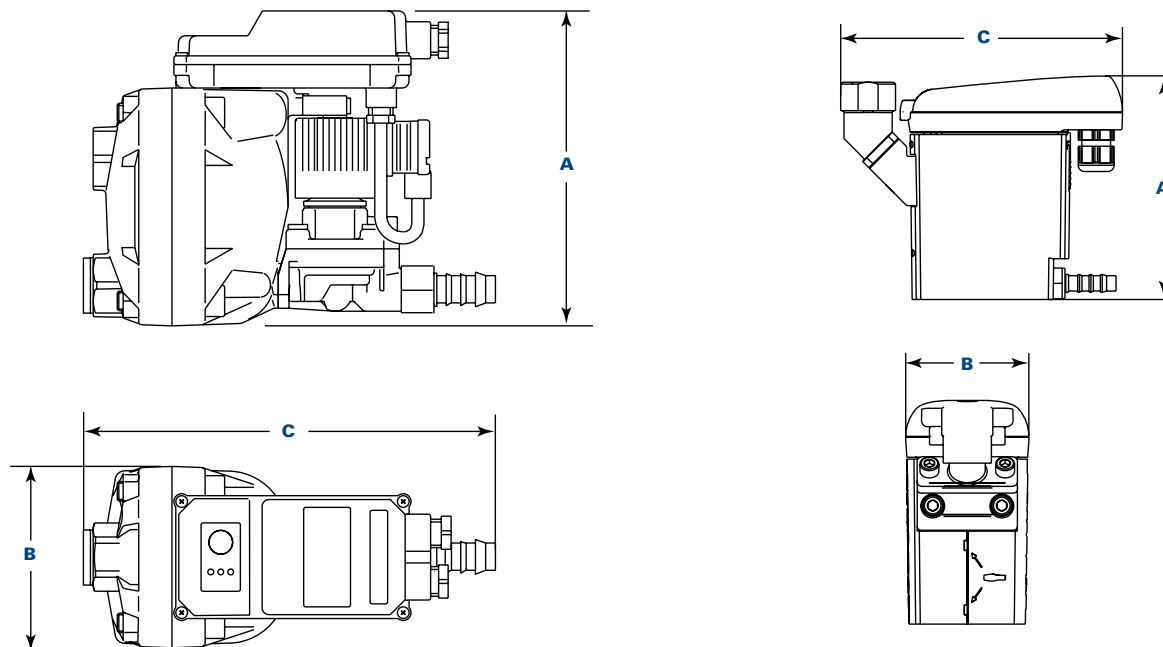
- 1 On the compressor itself
- 2 On compressor aftercoolers
- 3 On accumulator/surge tanks
- 4 On coarse coalescing prefilters before refrigerated and desiccant dryers
- 5 On fine coalescing prefilters before refrigerated and desiccant dryers
- 6 On refrigerated dryer cold-points or outlets
- 7 On desiccant dryer outlet



FEATURES & BENEFITS

- Electronically level-controlled minimizes loss of costly compressed air
- Easy service with all maintenance parts in a single unit
- Manufactured with corrosion resistant materials
- Silent operation

DIMENSIONS & SPECIFICATIONS



UFM-D30/D130

UFM-D03 through UMF-D10

| Type | Capacity (scfm)* | | | Operating Pressure (psi) | | Operating Temperature | | Connections (NPT) | | Dimensions (inches) | | |
|------------|------------------|-------|--------|--------------------------|-----|-----------------------|-------|-------------------|--------|---------------------|-----|-----------|
| | Compressor | Dryer | Filter | Min | Max | Min | Max | Inlet | Outlet | A | B | C** |
| UFM-D03 | 100 | 210 | 1,050 | 12 | 230 | 34°F | 158°F | ½" | ¼" | 4.6 | 2.6 | 5.9 / 6.5 |
| UFM-D05 | 170 | 350 | 1,760 | 12 | 230 | 34°F | 158°F | ½" | ¼" | 5.0 | 2.9 | 6.5 / 7.0 |
| UFM-D10 | 350 | 700 | 3,530 | 12 | 230 | 34°F | 158°F | ½" | ½" | 6.2 | 2.9 | 8.3 |
| UFM-D30*** | 1,050 | 2,110 | 10,590 | 12 | 230 | 34°F | 140°F | ½" | ½" | 6.4 | 3.7 | 8.3 |
| UFM-D130 | 4,590 | 9,180 | 45,900 | 12 | 230 | 34°F | 140°F | ¾" | ½" | 7.1 | 4.7 | 9.9 |

* Capacity at 100 psig, 100°F, 100% RH.

** UFM-D03 and UFM-D05 have an inlet that can be easily positioned vertically or horizontally.

*** HP version upon request.

Important Notice

Many factors beyond the control of Donaldson can affect the use and performance of Donaldson products in a particular application, including the conditions under which the product is used. Since these factors are uniquely within the user's knowledge and control, it is essential the user evaluate the products to determine whether the product is fit for the particular purpose and suitable for the user's application. All products, specifications, availability and data are subject to change without notice, and may vary by region or country.



Donaldson Company, Inc.
 Process Filtration
 PO Box 1299
 Minneapolis, MN
 55440-1299 U.S.A.

Tel 800-543-3634 (USA)
 Tel 800-343-3639 (within Mexico)
 Fax 952-885-4791
 processfilters@donaldson.com
 donaldsonprocessfilters.com



F117050 (05/17) ENG UFM-D Zero-Loss Condensate Drains

© 2011 Donaldson Co., Inc. All Rights Reserved. Donaldson and the color blue are marks of Donaldson Company, Inc. All other marks belong to their respective owners.
 {Contains Donaldson proprietary technology.}