

Intrinsically Safe Temperature Sensors with Replaceable Measuring Inserts **TOPGN-1..Exi, TTKGN-1..Exi, TTJGN-1..Exi**

Specification

Temperature range / sensing element

-200÷550°C	Pt100	class B
-40÷550°C	J, K	class 2

Measuring insert – p. 135

- diameter [mm]: 6 or 8
- 2-, 3-, 4-wire connection (for Pt100)
- 2-, 3-wire connection (for 2xPt100)
- measuring insert length L+155 mm

Thermowell

- material: stainless steel 1.4541
- diameter d [mm]: 9, 11, 14
- length L [mm]: 50÷2000

Connection head – p. 159

- aluminium XE-DANA (S1– standard), XE-DAND (S2), XE-DANAW (W1), XE-DANDW (W2) or stainless XE-BE (N1), IP65
- cable gland ATEX II GD IP65 (for cable 5÷10 mm)
- operating temperature up to 90°C

Constructional version

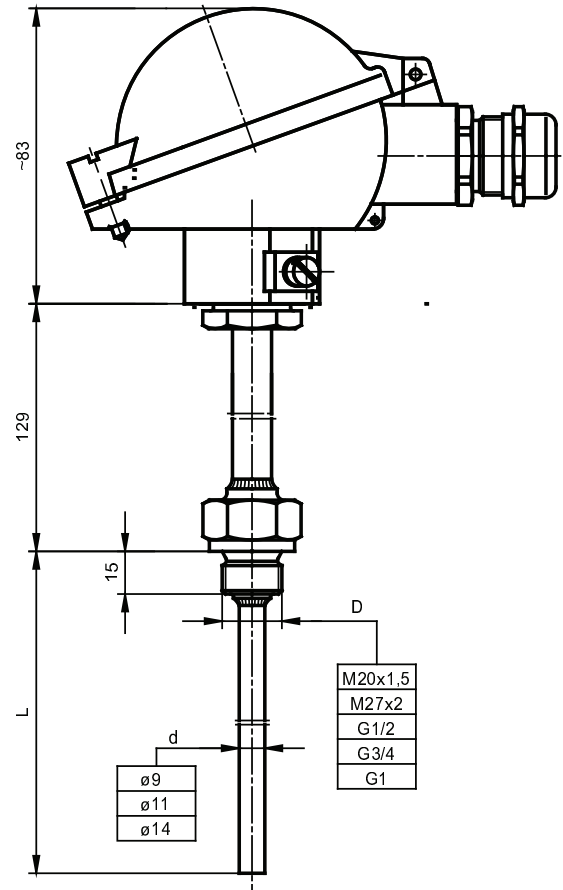
- Exi acc. to ATEX
- EC-Type Examination Certificate: **WE KDB 07ATEX055**
I M1 Ex ia I (only with connection head N1)
II 1/2G Ex ia IIC T6; II 1D Ex iaD 20 T85°C

Options

- Pt500, Pt1000, T, N
- other threads (inch and metric) acc. to requirements
- Pt100: class A -50÷400°C, class AA 0÷150°C; TC: class 1

Additional accessories

- temperature transmitters – pp. 162÷174



N

Ordering code

Temperature sensor



Without transmitter: **no designation**

With transmitter: **AP**

With two transmitters: **2AP**

Single: **no designation**

Double: **2**

Sensing element Pt: **OP**

Fe-CuNi: **TJ**; NiCr-NiAl: **TK**

Cu-CuNi: **TT**; NiCrSi-NiSi: **TN**

Replaceable pipe insert: **1**

Replaceable mineral insulated insert: **2**

Connection head type: **S1, S2, W1, W2** for group II or **N1**, for group I and II

Length L [mm]: **160** or other*

Thermowell diameter [mm]: **9** or other*

Thread dimension: **G¾** or other*

RTD type for Pt: **Pt100, Pt500, Pt1000** or hot junction type for TC: **SO, SP, SOA**

RTD/thermocouple class: **A, B*** / **1, 2**

RTD connection for Pt: **2, 3** or **4-wire**

Transmitter type – temperature range: **FT2202-(0÷50)°C***

*Other parameters acc. to requirements

Ordering example:

2TTKGN-12Exi-S1-160-9-G¾-SOA-2